



grilliput
fun. form.

Home Design Companion Assembly Ordering Company Promotion

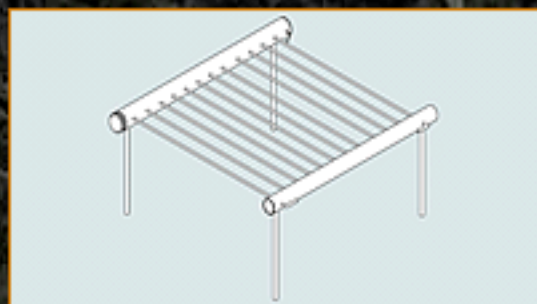
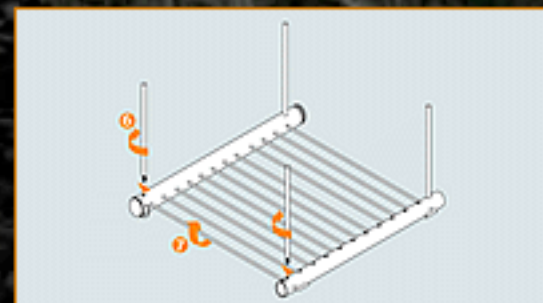
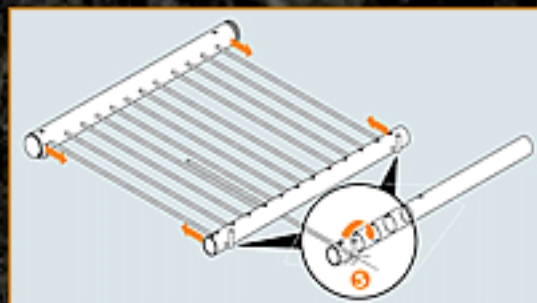
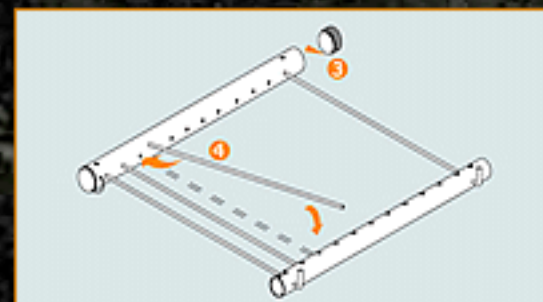
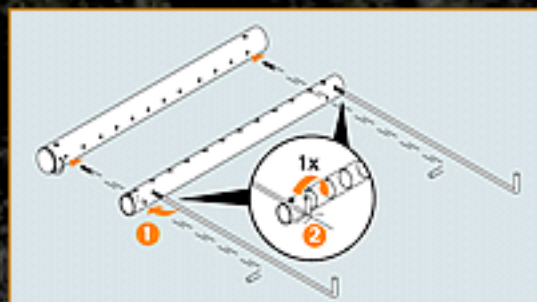
Ingeniously easy to set up.

Here's how:

Assembly:

- Unscrew the stainless steel tube.
- Remove all grill elements:
- 1 thick tube with a stopper
- 1 thin tube with a cleaning groove
- 2 outer grill rods with hooks and threads
- 10 grill rods
- 4 grill feet

1. Place both tubes with the threaded holes for the feet facing upwards. The holes of the thick tube and the grooves of the thin tube must be opposite each other.
2. The outer grill rods with a thread are pushed through the thin tube and fixed to the thick tube with an initial single turn.
3. Screw the stopper back on to the thick tube (to avoid it being lost).
4. Insert the 10 grill rods.
5. Screw the outer grill rods with the hooks fully into the thick tube.
6. Screw the four grill feet tight and turn the grill over.
7. Finished and ready for use.



Click to enlarge.