

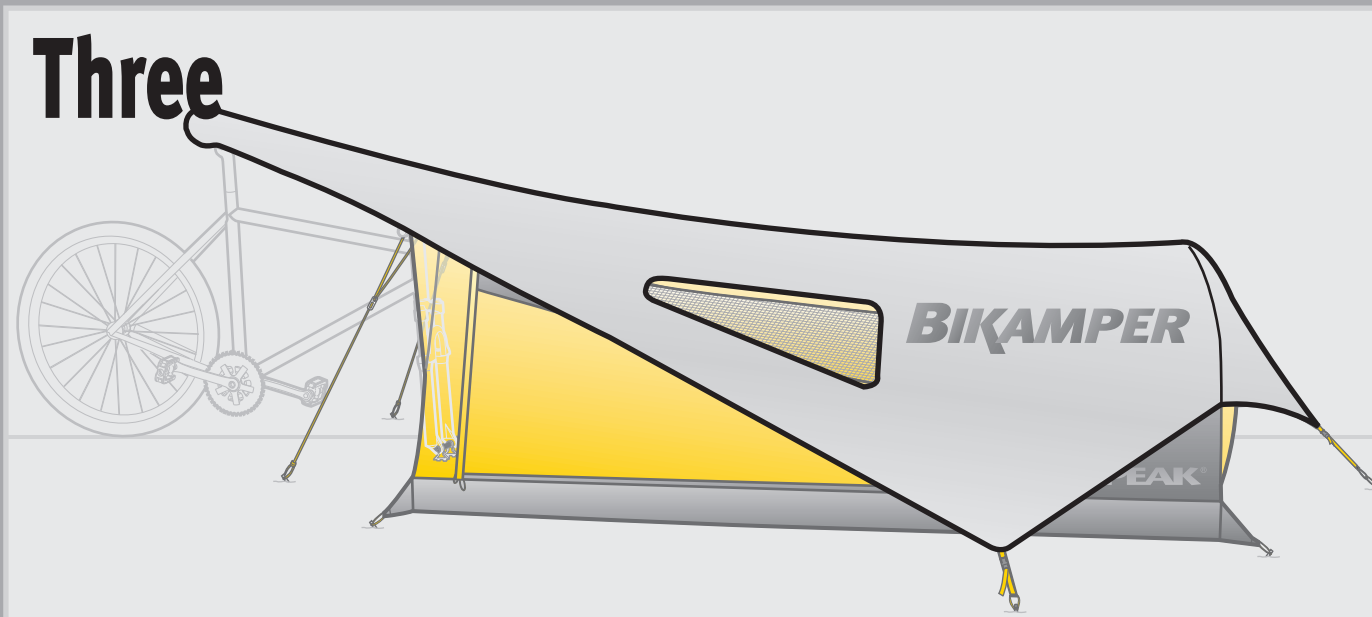


BIKAMPER is designed to be used with 26" mountain or 700c road bikes. It is a personal shelter that utilizes a bicycle and its front wheel in place of conventional tent poles. The main body of the BIKAMPER is constructed of durable, waterproof coated 45D ripstop nylon and features three mesh windows for ventilation and stargazing on pleasant nights. The BIKAMPER fly is constructed of fully waterproofed 70D ripstop nylon to offers an additional layer of protection. Both tent and fly pack down to a small, space saving size.

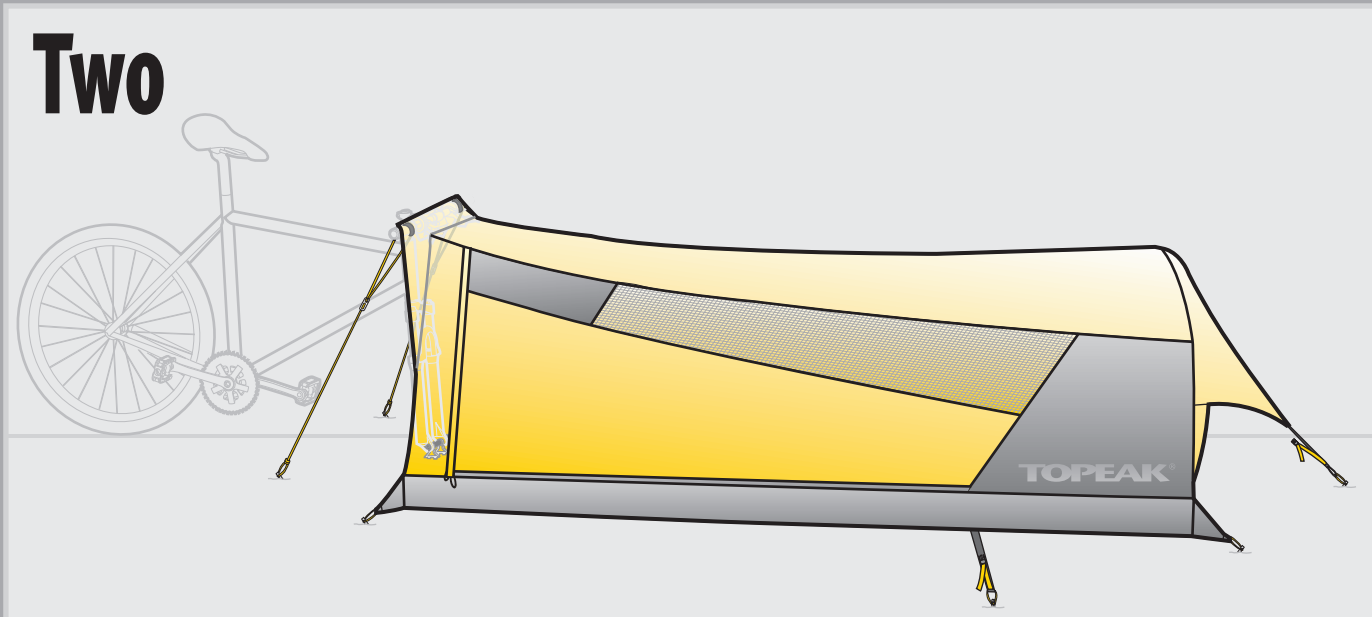
The Topeak BIKAMPER is sure to find a home in the panniers of serious bicycle tourists everywhere.

M O U N T A I N B I K E

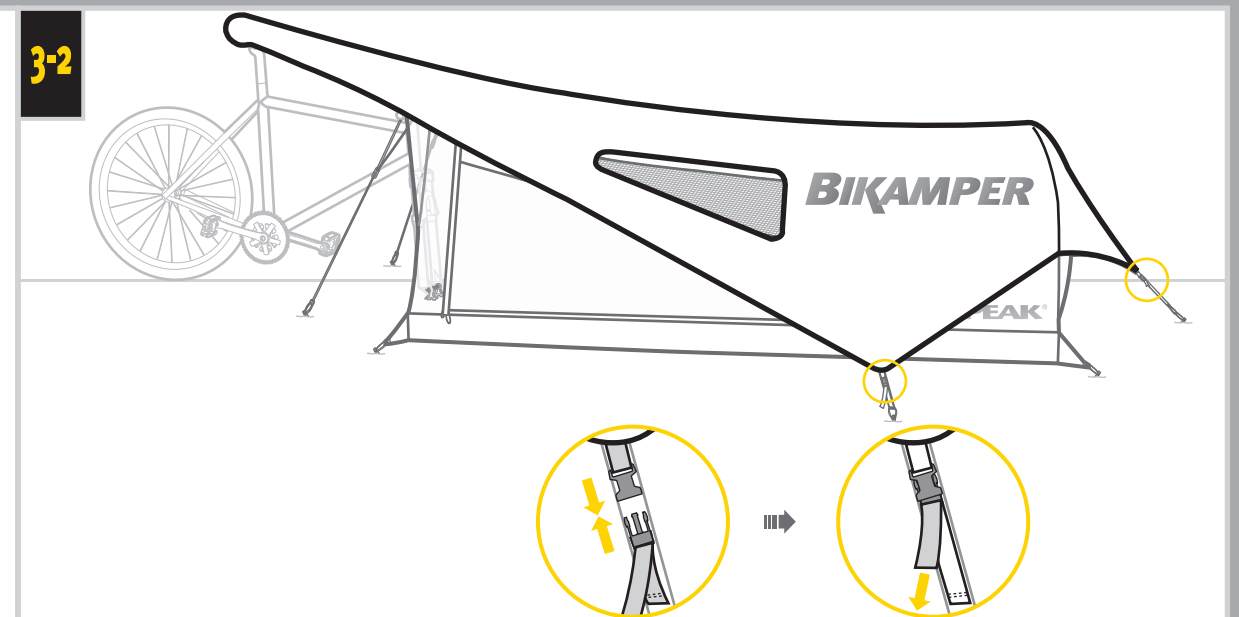
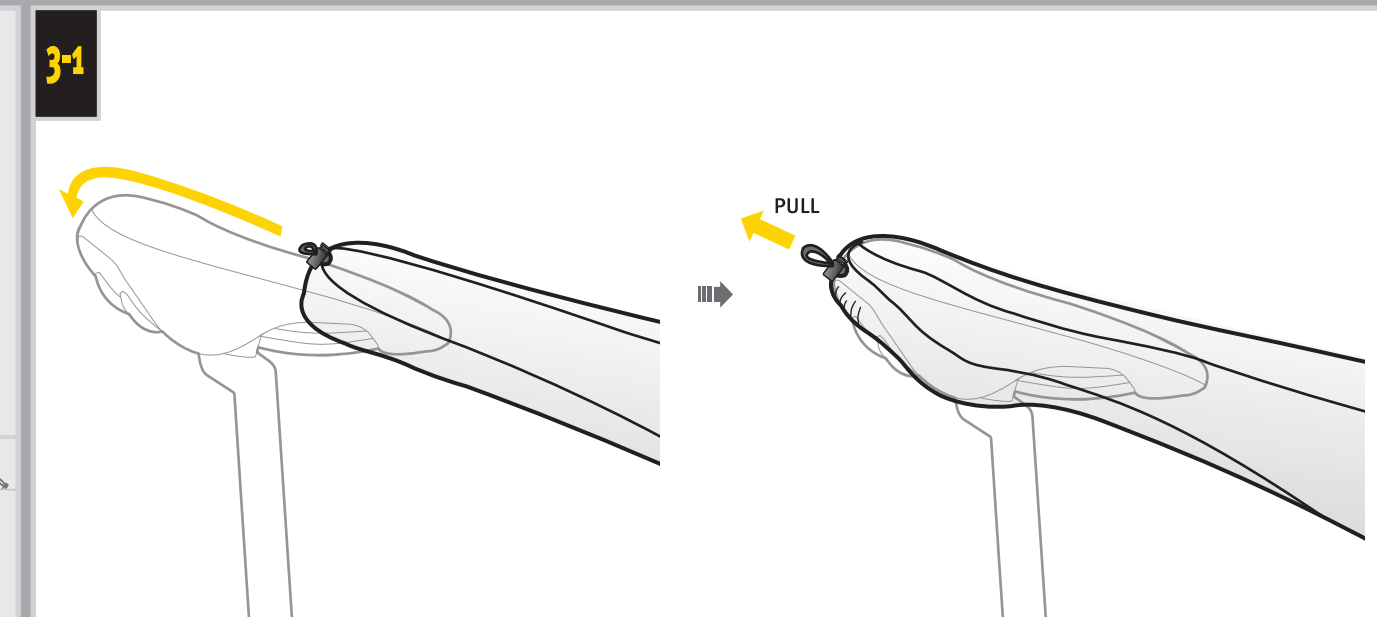
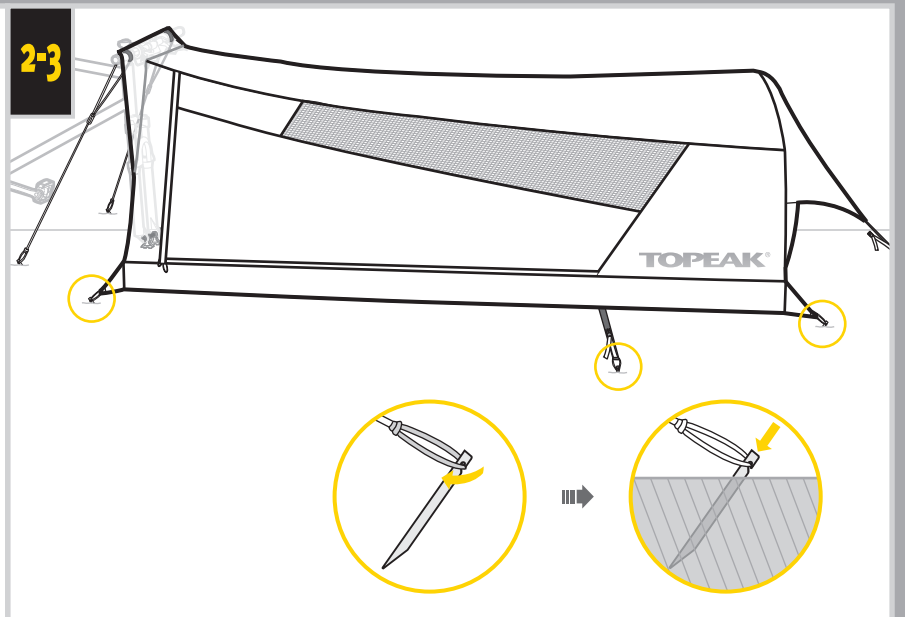
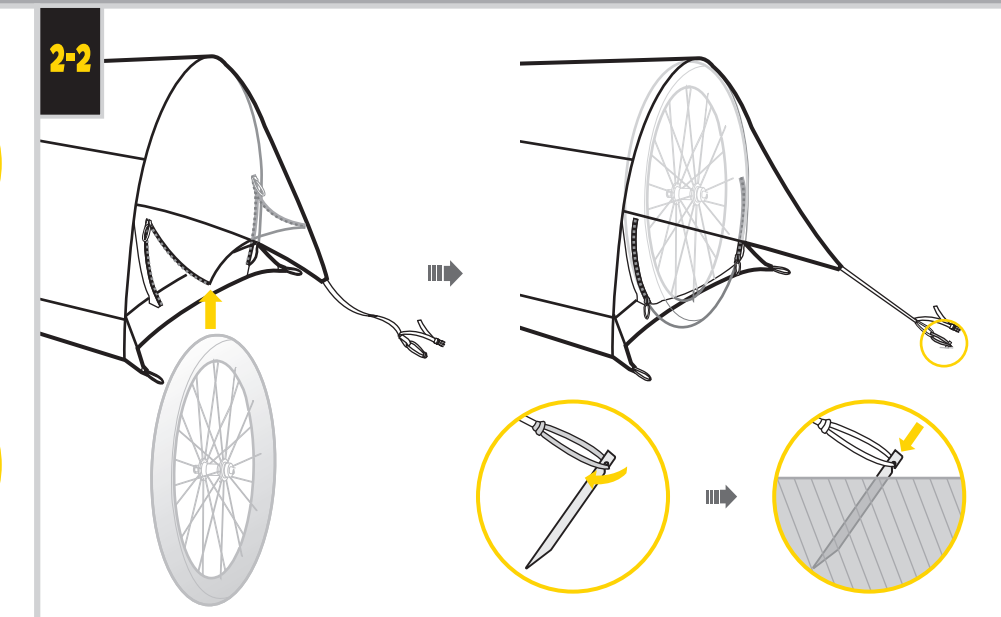
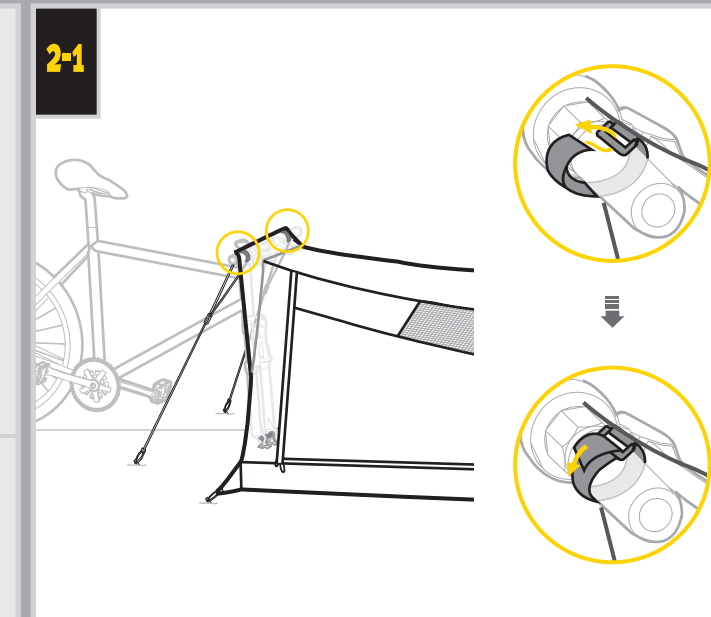
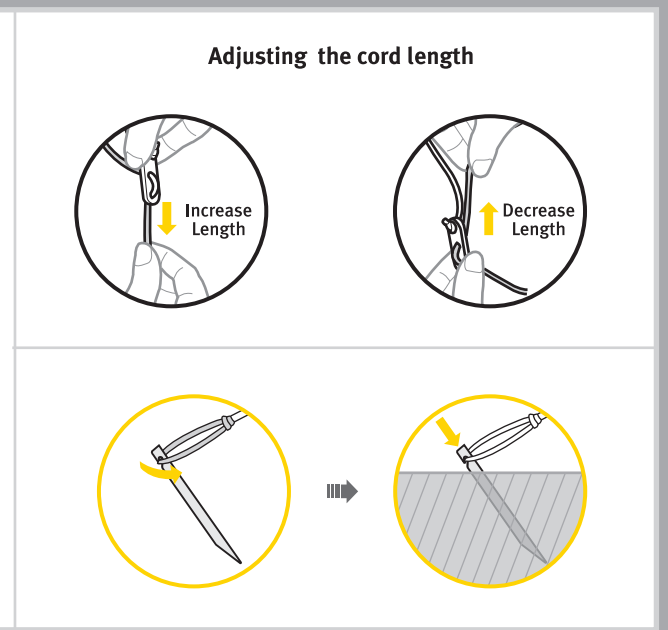
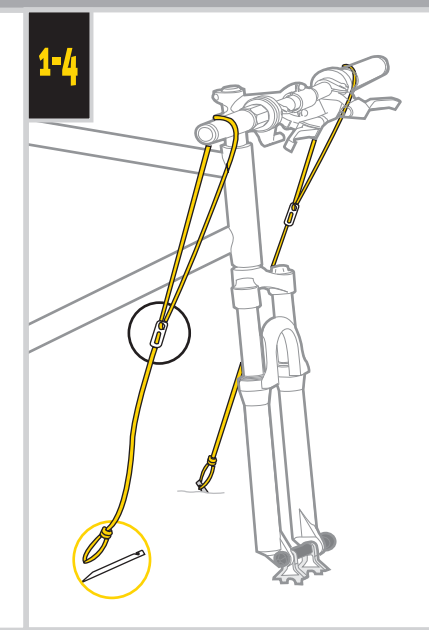
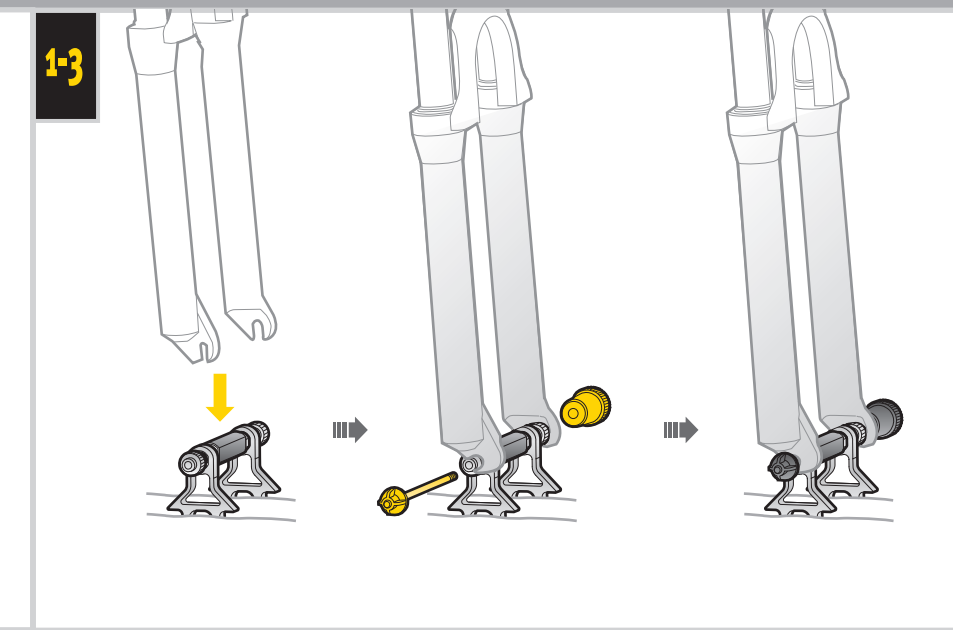
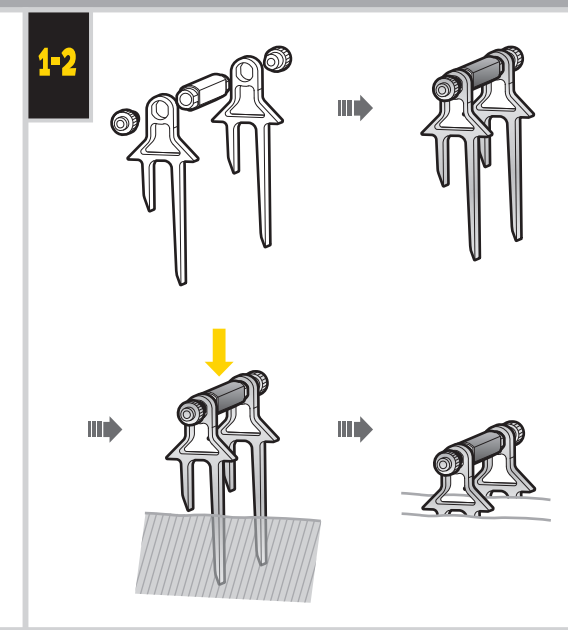
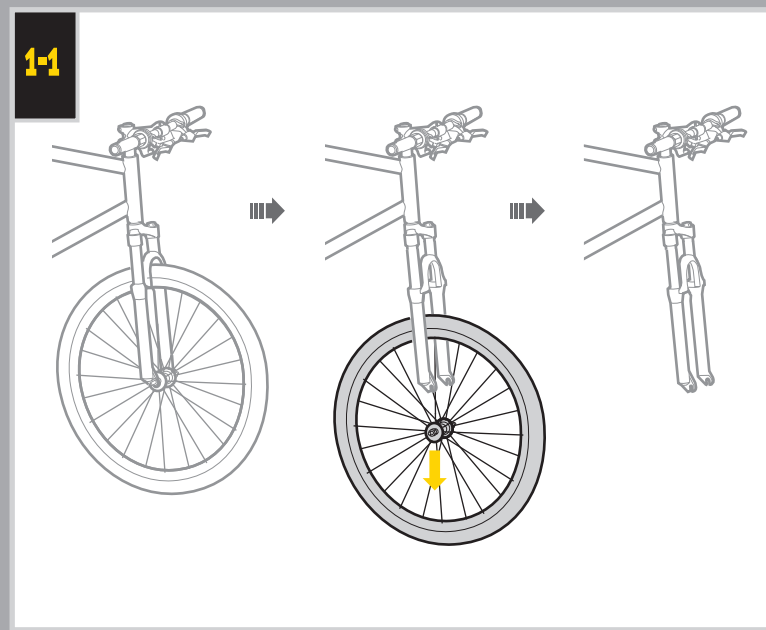
Three



Two



One



PARTS LIST

NO.	NAME	QTY
1.	Tent (includes fly & stuff sack)	1
2.	Front Fork Anchor	1
3.	Stake	10
4.	Accessory Bag	1
5.	Cord	3

Sleeps: 1 person
 Season: 3 season
 Fabric (Body): 45D 210T ripstop nylon with 1500 mm PU
 (fly) : 70D 190T ripstop nylon with 1500 mm PU
 (floor) : 70D 210T ripstop nylon with 3000 mm PU
 Packed weight: 1200 grams
 Packed size: 26 x Ø14 cm
 Floor space: 200 x 90 x 70 cm
 Number of doors: 1

Note:
 The stakes are recommended for use on grass, soft and sandy soil only.

LIMITED WARRANTY
 90-day Warranty: All mechanical components against manufacturer defects only.
Warranty Claim Requirements
 To obtain warranty service, you must have your original sales receipt. Items returned without a sales receipt will assume that the warranty begins on the date of manufacture. All warranties will be void if the product is damaged due to user crash, abuse, system alteration, modification, or used in any way not intended as described in this manual.
 * The specifications and design are subject to change without notice.

Topeak products are available only from professional bicycle shops. Please contact your nearest Topeak authorized bicycle dealer for any questions. For customers in the USA, call: 1-800-250-3068. Website: www.topeak.com

Copyright © Topeak, Inc. Printed in Taiwan / 2005

MTPB004GB 3/05

700C ROAD BIKE
